

Frame-Up

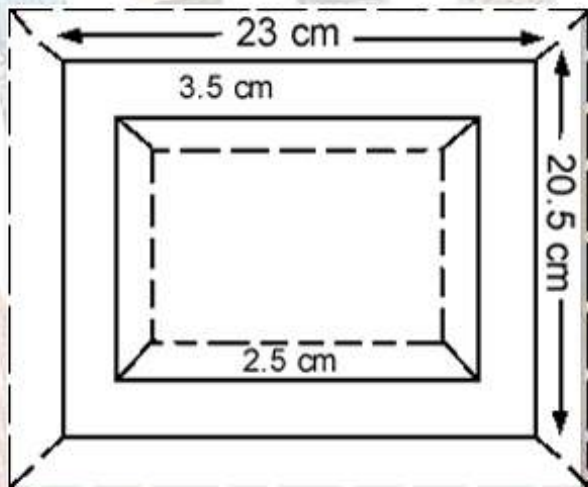
11 YEARS

YOU WILL NEED

- *Anchor Stranded Cotton skeins- 1 skein each of shade numbers 47, 12, 131, 239 and 304. Use 2 strands throughout*
- *Single thread tapestry canvas*
- *Card*
- *Fevicol*
- *Key Chains*

HOW TO DO

1. Follow the layout diagram and draw a rectangle measuring 20.5 cm x 23 cm. Measure down 3.5 cm on all sides from the outer line and draw another rectangle (inner line). Measure down 2.5 cm on all sides from the inner line and draw another rectangle with the corners marked.



 **Anchor**

Frame-Up

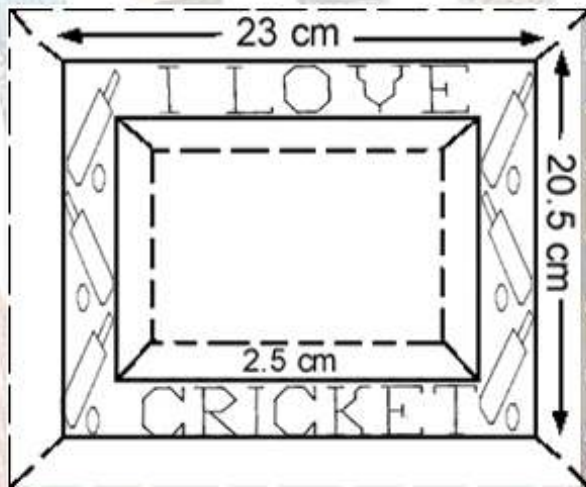
11 YEARS

YOU WILL NEED

- *Anchor Stranded Cotton skeins- 1 skein each of shade numbers 47, 12, 131, 239 and 304. Use 2 strands throughout*
- *Single thread tapestry canvas*
- *Card*
- *Fevicol*
- *Key Chains*

HOW TO DO

2. Trace diagrams 1 and 2 onto the canvas ensuring that the lines of the design coincide with the holes on the canvas.



Frame-Up

11 YEARS

YOU WILL NEED

- *Anchor Stranded Cotton skeins- 1 skein each of shade numbers 47, 12, 131, 239 and 304. Use 2 strands throughout*
- *Single thread tapestry canvas*
- *Card*
- *Fevicol*
- *Key Chains*



HOW TO DO

3. Work the design using Half Cross Stitch except the outlines which should be worked in Back Stitch. Commence with the background and then work the other areas later. (Motifs could be changed as desired and could be worked using cross stitch).

 **Anchor**

Frame-Up

11 YEARS

YOU WILL NEED

- *Anchor Stranded Cotton skeins- 1 skein each of shade numbers 47, 12, 131, 239 and 304. Use 2 strands throughout*
- *Single thread tapestry canvas*
- *Card*
- *Fevicol*
- *Key Chains*



HOW TO DO

4. After completing embroidery, cut along the small broken lines following the layout diagram. Fold back the unembroidered strips that are left in the middle under the embroidered strips on all four sides and glue in place.

 **Anchor**

Frame-Up

11 YEARS

YOU WILL NEED

- *Anchor Stranded Cotton skeins- 1 skein each of shade numbers 47, 12, 131, 239 and 304. Use 2 strands throughout*
- *Single thread tapestry canvas*
- *Card*
- *Fevicol*
- *Key Chains*



HOW TO DO

5. Place the frame on thick card, cut to size, fold the outer edges of the embroidered strips over the card and glue in place, leaving one side open, to insert the picture. Turn this open end inwards, i.e., towards itself, above the card and glue to the wrong side of the embroidery.

 **Anchor**

Frame-Up

11 YEARS

YOU WILL NEED

- *Anchor Stranded Cotton skeins- 1 skein each of shade numbers 47, 12, 131, 239 and 304. Use 2 strands throughout*
- *Single thread tapestry canvas*
- *Card*
- *Fevicol*
- *Key Chains*



HOW TO DO

5. Place the frame on thick card, cut to size, fold the outer edges of the embroidered strips over the card and glue in place, leaving one side open, to insert the picture. Turn this open end inwards, i.e., towards itself, above the card and glue to the wrong side of the embroidery.

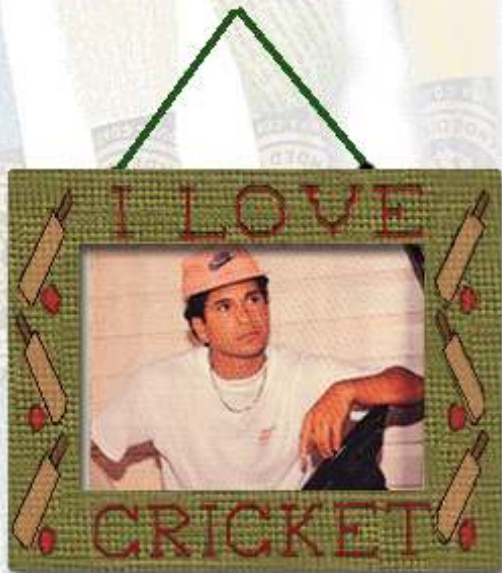
 **Anchor**

Frame-Up

11 YEARS

YOU WILL NEED

- *Anchor Stranded Cotton skeins- 1 skein each of shade numbers 47, 12, 131, 239 and 304. Use 2 strands throughout*
- *Single thread tapestry canvas*
- *Card*
- *Fevicol*
- *Key Chains*



HOW TO DO

6. Loop a piece of thread at the back of the card, in the middle, to hang up the frame picture, or attach a length of card to form a strand.

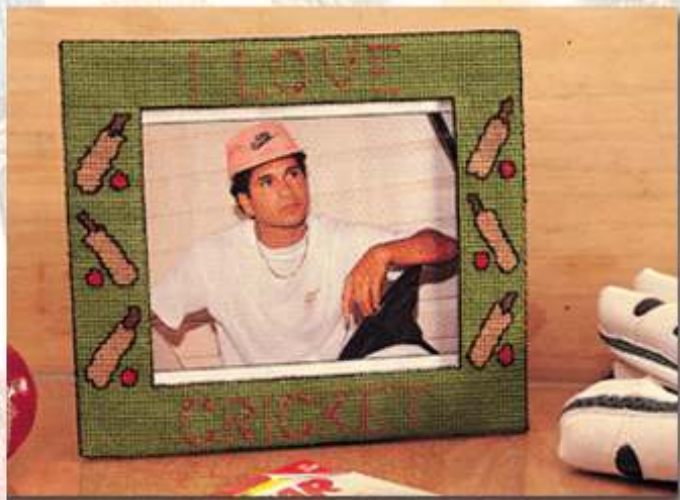
 Anchor

Frame-Up

11 YEARS

YOU WILL NEED

- *Anchor Stranded Cotton skeins- 1 skein each of shade numbers 47, 12, 131, 239 and 304. Use 2 strands throughout*
- *Single thread tapestry canvas*
- *Card*
- *Fevicol*
- *Key Chains*



 Anchor